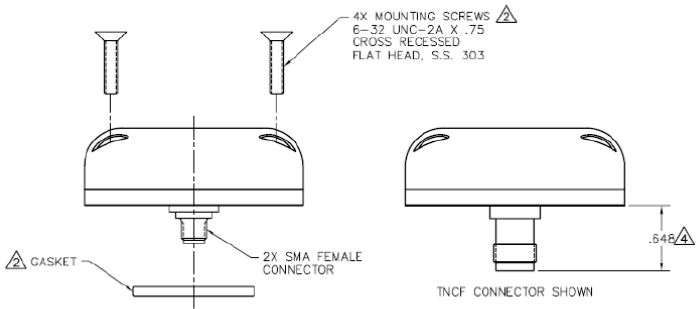
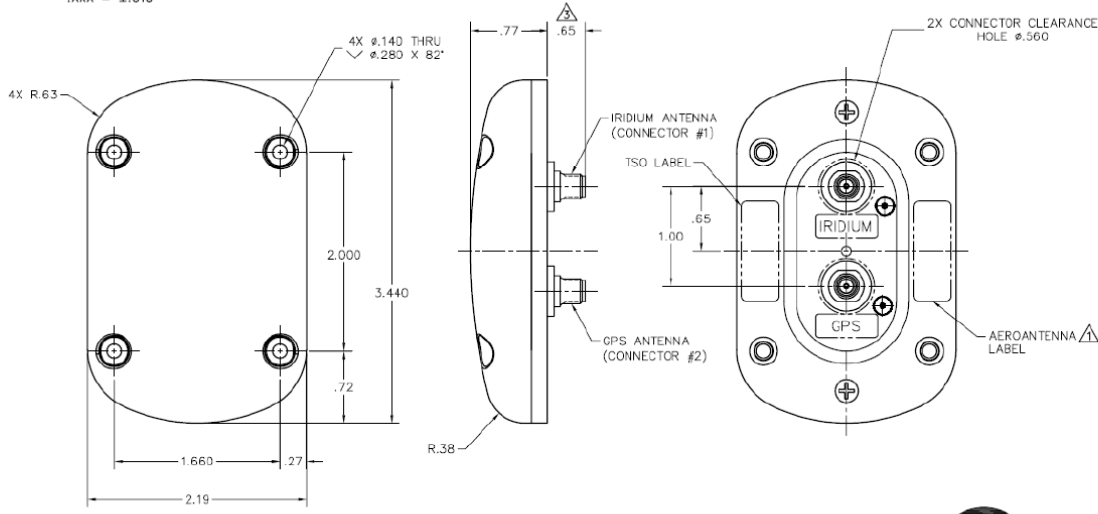


PROPRIETARY NOTICE: This document contains proprietary information of AAT Inc. neither the document nor said proprietary information shall be published, reproduced, copied, disclosed or used for any purpose other than consideration of this document without the express written permission of a duly authorized representative of said Company.

NOTES: UNLESS OTHERWISE SPECIFIED.

- 1. SIZE, SHAPE, AND CONTENTS OF NAME PLATE ARE SUBJECT TO CHANGE WITHOUT NOTICE.
- 2. MOUNTING SCREWS AND O-RING SUPPLIED BY AEROANTENNA.
- 3. DIMENSIONS FOR SMAF CONNECTOR.
- 4. DIMENSIONS FOR TNCF CONNECTOR.
- 5. TOLERANCE: .XX = ±.03
.XXX = ±.010



REVISIONS			
SYM	DESCRIPTION	DATE	APPROVED
B	ECO 6215 ADD GPS AND IRIDIUM LABEL	8/6/06	

SPECIFICATION:

FREQUENCY: 1621 ±5 MHz
1575 ±5 MHz

POLARIZATION: RIGHT HAND CIRCULAR

AXIAL RATIO: 3 dB MAX

RADIATION COVERAGE: IRIDIUM

ELEVATION ANGLE: 0°<θ<10° GAIN: -2.5 dBic min
10°<θ<90° 0 dBic min

GPS

ELEVATION ANGLE: 0°<θ<10° GAIN: -7.5 dBic min
10°<θ<20° -5.5 dBic min
20°<θ<30° -3.5 dBic min
θ>30° -2.5 dBic min

AMPLIFIER: IRIDIUM: PASSIVE
GAIN: GPS L1: 26 dB (35 mA)

VOLTAGE: IRIDIUM: PASSIVE
GPS L1: 3 VDC

NOISE FIGURE: 2.5 dB MAX

IMPEDANCE: 50 OHMS

VSWR: ≤2.0:1

POWER HANDLING: 10 WATTS

CONNECTOR: SPECIFY

WEIGHT: 4.50 OZ.

ALTITUDE: 55,000'

OPERATING TEMP: -55°C TO +85°C

DESIGNED TO: DO-160E
ENV CAT: F2-ABB[S(CLM*)U(FF1)]XSFDFSZXXXPK[A3][2A]CX
C-144

TSO:

DO NOT SCALE THIS DRAWING	DRAWN E. ZELAYA 5/24/05
ALL DIMENSIONS ARE IN INCHES DIMENSIONING & TOLERANCING PER ASME Y14.5M-1994	CHECKED
TOLERANCES: .00X = ±.01 .00X = ±.005 FRACT = ±1/32 ANG. = ±1/2°	ENGR TIP JEENSALUTE 5/25/06
✓ SURFACE ROUGHNESS MACHINED PARTS VES MOLDED PARTS V32	MFG D. LEVY 05/26/06
REMOVE BURRS AND BREAK SHARP EDGES: PART TO BE CLEAN AND OIL FREE	C.A. B. RUBENI 05/25/06
UNLESS OTHERWISE SPECIFIED	APPROVED G. SHAR 5/25/06
NEXT ASSY	DRAWN IN CAD



TITLE
Dual Mode Aero - White

SIZE B	1	RST704	REV B
SCALE NONE	SHEET 1 OF 1		